



Instruction manual

Cleanserv VL140 L / 24V (6509) for Sweepmaster B980 R/RH
Cleanserv VL140 L / 24V (6319) for Sweepmaster B1200 RH

Introduction

Preface

Dear customer, It is our desire that the good characteristics of the device should justify the confidence you demonstrated by making this purchase. Prior to the first use, read the chapter "Safety Information" carefully as this will ensure safe operation of the device. Your own safety, as well as the safety of others, depends to a great extent on how the device is moved and operated. Before using the equipment for the first time, read this original manual thoroughly, act according to the information contained and keep it in a safe place for future reference or subsequent owners. The manual provides valuable information about operation, service and maintenance. The warning symbols as used in this manual identifies items relevant to safety. Please observe the safety provisions. Your authorized Hako dealer will be pleased to answer further questions regarding the device or the operation and maintenance manual.

Proper Use

The vacuum cleaner mounting kit is to be considered part of accessories which must be exclusively used for the Sweepmaster B980 R/RH or Sweepmaster B1200 RH machines. The vacuum cleaner has been exclusively designed for collecting dry matter from floor surfaces in e.g. factories, storage buildings, parking ground and pedestrain areas.

Safety provisions

Comply with the general safety provisions/regulations from the applicable operating instructions of the corresponding machines. This unit has not been designed for collection of hazardous dusts. This unit has been constructed for dry cleaning and not for outdoor use and storage and must not be used or stored under humid conditions. Do not collect combustible liquids or dusts. The machine has not been designed for collecting dusts which are detrimental to health. The unit may be used by personnel only that has been trained in its handling and that is in charge with its use. Turn the unit OFF whenever performing maintenance work, replace parts or convert to a different function. Whatever sort of work on the electrical system may be performed by expert personnel only. When work on the electrical system is complete, have an authorized electrician perform a safety test.

2

Introduction

Please be advised explicitly that we cannot accept any legal claims out of the contents of this manual.

If repair work has to be performed, make sure that only genuine parts may guarantee a dependable machine and will make sure that your rights under current warranty are not affected. We reserve the right for technical improvements.

Valid as of April 2014

Hako GmbH
D-23843 Bad Oldesloe
Hamburger Str. 209-239
Fon +49 4531 806-0
Fax +49 4531 806-338

Table of contents

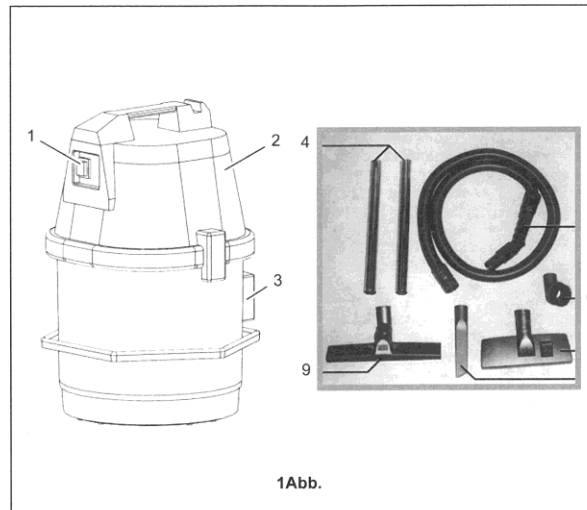
Preface	2
Proper use	2
Sicherheitshinweise	2
1 Operation	4
1.1 Discription	4
1.2 Vacuum cleaner operation	5
1.3 Clean vacuum cleaner	5
1.4 Troubleshooting	6
1.5 Technical data	6
1.6 Circuit diagram	6

Operation

1 Operation

1.1 Discription

- Main switch(Fig. 1/1)
- Suction unit (Fig. 1/2)
- Suction outlet (Fig. 1/3)
- Hand tubes (Fig. 1/4)
- Suction hose (Fig. 1/5)
- Dusting brush (Fig. 1/6)
- Floor brush (Fig. 1/7)
- Crevice tool (Fig. 1/8)
- Floor brush with rubber strip (Fig. 1/9)



1Abb.

4

Operation

1.2 Vacuum cleaner operation

Use the main switch (Fig. 2/1) o turn the vacuum cleaner on and off.

Plug suction hose in suction outlet (Fig. 2/2) (snaps-in) (to remove suction hose, depress button (Fig. 2/3) and pull hose)

Plug nozzle on suction hose

1.3 Clean vacuum cleaner

1. Open the locks (Fig. 2/4) of the suction unit (Fig. 2/2) and take off suction unit.
2. Remove and clean filter (Fig. 2/6).
3. Clean hopper (Fig. 2/5) and wipe dry.
4. Clean floater (Fig. 2/7) (situated in the filter basket).
5. Proceed in inverse order for assembling the vacuum cleaner.

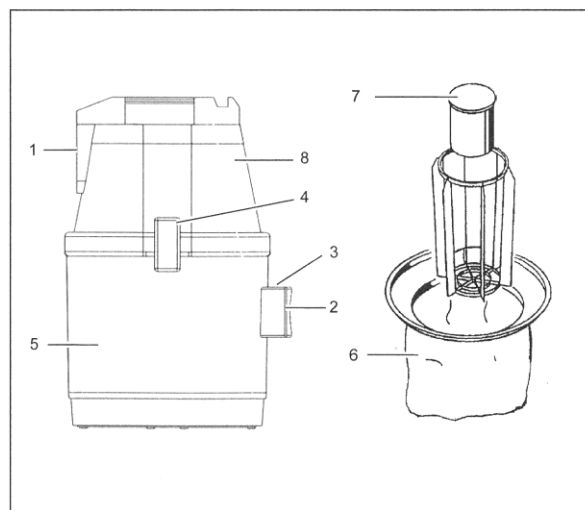


Fig.2

Operation

1.4 Troubleshooting

Suction assembly does not start

- not current:
Check fuse

Suction power reduced

- Filter, nozzle, suction hose or tube clogged:
Check and clean

Suction power suddenly drops

- Tank is full:
Switch off vacuum cleaner and drain tank

1.5 Technical data

Nominal voltage: 24V

Nominal current: approx. 19A

Volume: 21,5 liter

Width: D=300 mm

Height: 510 mm

Weight: 9 kg

1.6 Circuit diagram

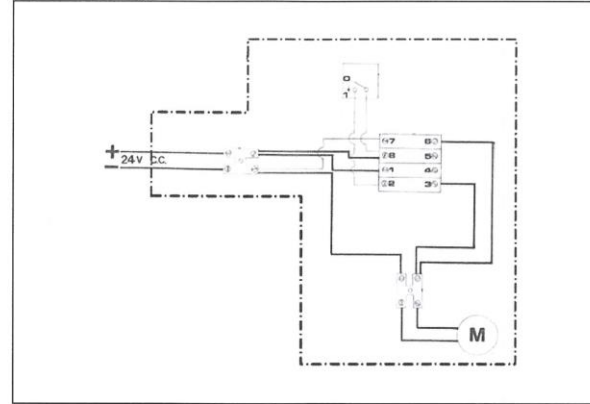


Fig.3

6

EC-Konformitätserklärung (in accordance with EC Directive 2006/42/EC)

Hako GmbH
Hamburger Straße 209-239
D-23843 Bad Oldesloe

bears sole responsibility for declaring that the products

Cleanserv VL140 L / 24V

Typ:

(6509) for Sweepmaster B980 R/RH
(6319) for Sweepmaster B1200 RH

to which this declaration relates, conform to the relevant provisions of the safety and health requirements stipulated in the EC Directive 2006/42/EC and is in accordance with 2014/30/EC.

Reference was made to the following standards and/or norms and/or technical specifications to ensure proper implementation of the safety and health requirements in the EC Directives:

EN 60335-2-69

EN 60335-1

Bad Oldesloe, 23.01.2018

Ricardo Ruiz Porath
Product line Manager
Cleaning Technology

Name of the authorized person who compiles technical documents for Hako:

Ludger Lüttel